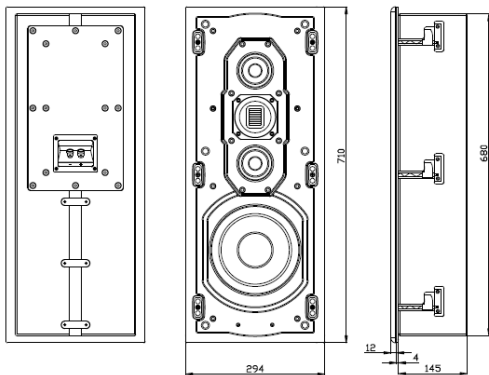


zero_{db}

zero_{db}

IWR-821



zero_{db}

IWR-821

Specifications:

Type	Dual 8", 3-Way 4-unit full range speaker
Frequency Range	36~35KHz(-10dB)
Frequency Response	40~30KHz(±3dB)
Recommended Amplified Power	50-575W
Sensitivity(1W/1M)	92dB
Maximum SPL	118dB
Nominal Impedance	4ohms
Crossover	1. 5KHz, 8KHz
LF Woofer	1x8"Ø35mmVC
Mid-range Driver	2x3"Ø19mmVC
HF Driver	1xAMT pneumatic compression driver
Product Size(WxDxH)	Panel size: 294x4x710mm Cabinet size: 254x145x680mm Hole size(WxH): 260x686(Depth > 153mm)
Package Size(WxDxH)	794x380x236mm
Net Weight	14. 8 Kg/pc
Gross Weight	16. 65Kg/pc
Connectors	Nickel plated crimping terminal
Enclosure	High grade MDF, matt black painting
Grille	Wooden grille with acoustic cloth
Fittings	Screw type hook

zero_{db}

IWR-821